

FIGURE 1

1	224327	M5x69	2	21	216022	M4x21	3	39	225037	1	59	● 323419	2	79	217382	1	
C 2	223196		1	22	219590	TIVOLI	1	40	228884	1	B 60	● 323716	1	80	241106	1	
3	● 219023		2		301164	H	1	B 41	217554	1	61	302151	1	B 81	● 229132	1	
4	● 223520		1	23	● 223331	TIVOLI	1	42	● 215536	1	62	● 302026	1	B 82	● 227139	1	
5	● -		1		● 301163	H	1	43	● 215538	2	63	● 302584	1	C 83	● 235675	1	
6	● 219016		1	24	● 219585		3	A 44	● 223770	2	C 64	● 323930	1	A 84	● 93720	1	
7	● -		1	25	● 218932		1	45	215539	1	C 65	● 301443	1	B 85	223508	1	
B 8	219145		1	26	● 218941		1	46	222308	1	B 66	● 323611	1				
9	222758		1	27	● 216792		1	47	219383	1	67	● 111026	2				
C 10	FIGURE 4			B 28	● 300474		1	48	216022	M4x21	2	68	● 218275	1			
A 11	224148		1	B 29	● 301252		1	C 49	302138	1	69	● 213191	4				
C 12	223984		1	A 30	● 216093		1	50	● 223884	1	70	● 215545	1				
B 13	223986		1	31	● 216590		1	51	● 215533-01	1	71	● 216143	1				
C 14	300630-01		1	32	● 215874	M4x9,5	1	52	● 235433	1	C 72	● 102164	1				
15	● 301833-01		1	33	228908	M4x14	1	53	● 235922	1	73	● 213282	1				
16	● 322018		1	34	235612		2	54	213178	M5x8	1	74	● 216027	M5x28	4		
17	● 322231		1	35	228957	M4x25	3	55	215540-01	1	C 75	● 83859	1				
18	● 235642		2	36	235431		2	A 56	92879	1	C 76	● 216500	1				
19	● 323419		2	37	229103		1	57	217320	M6x18	1	77	215541	1			
C 20	323829		1	38	216583		1	C 58	224448-01	2	78	217390	1				

A = high moving - alta rotazione - haute demande - große Nachfrage B = medium moving - media rotazione - moyenne demande - mittelmäßige Nachfrage C = slow moving - bassa rotazione - basse demande - wenige Nachfrage

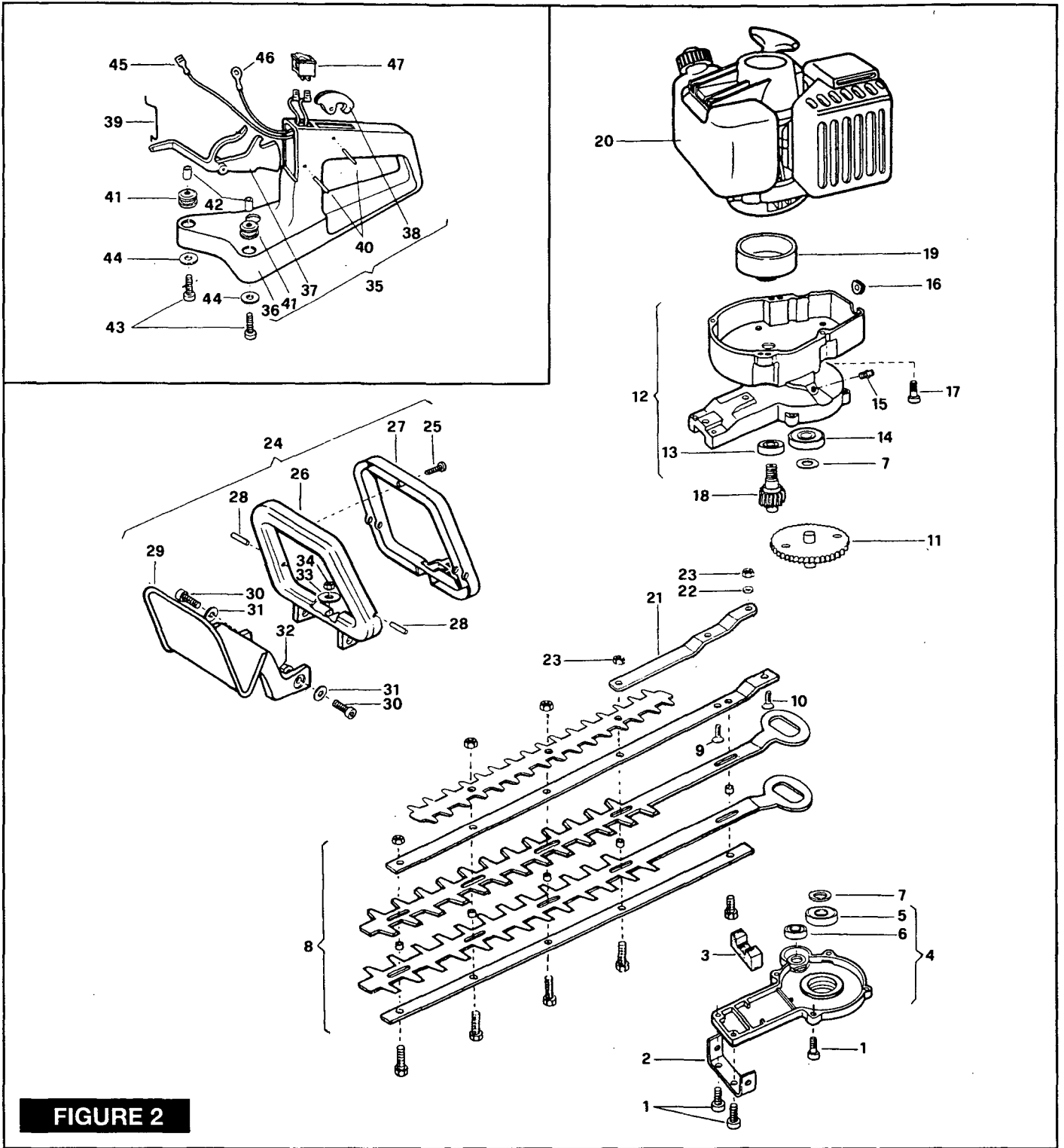
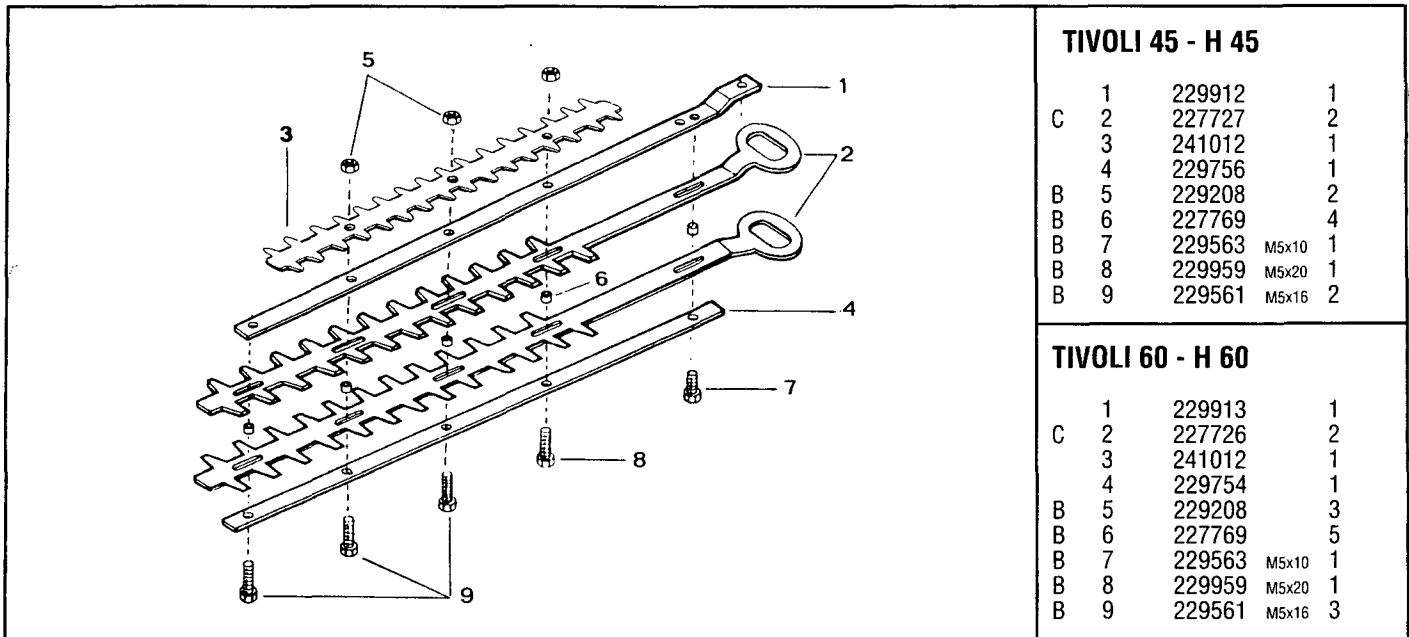


FIGURE 2

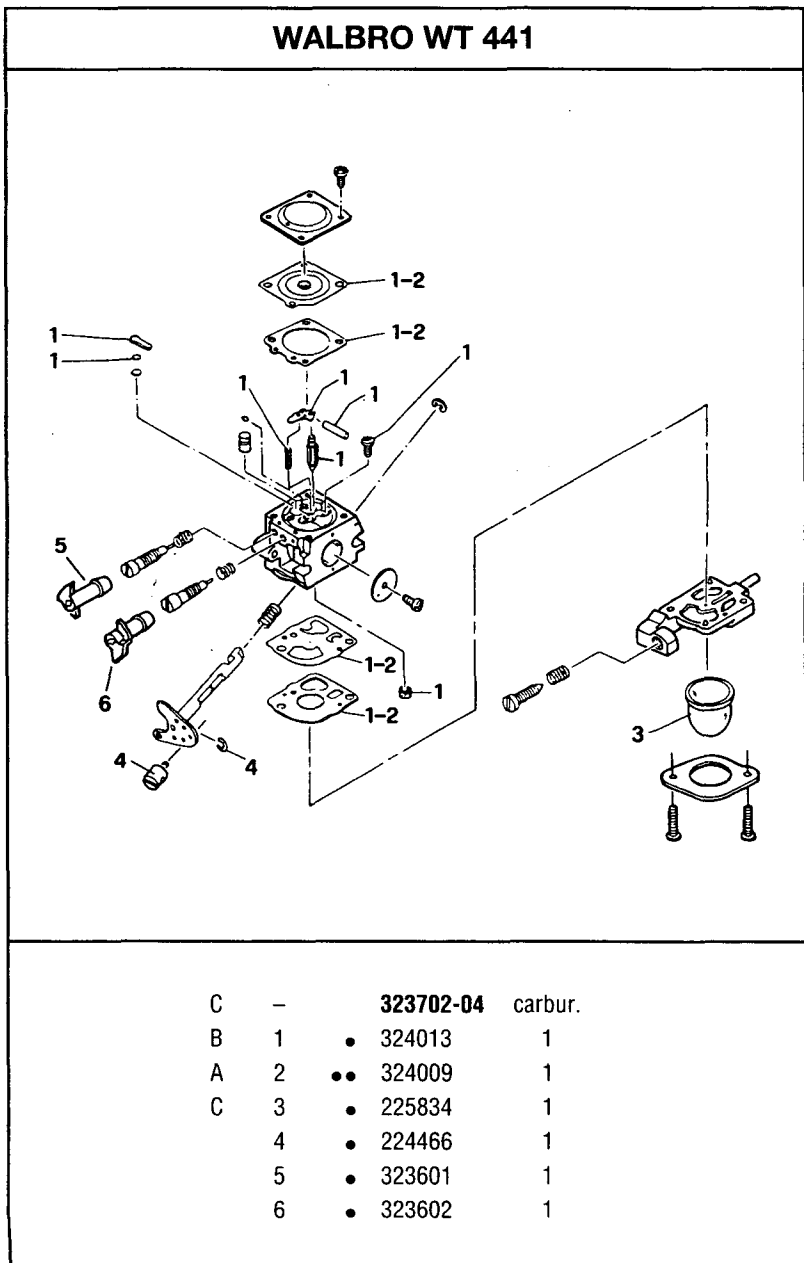
1	229077	M5x18	6	21	229911	1	41	● 235105	3
2	229910		1	22	236529	1	42	235106	3
C 3	229970		1	23	229208	2	43	235803	M5x25 3
4	225629		1	24	225627	1	44	235107	3
5	● 228958		1	25	● 227251	1	45	229976	1
6	● 235914		1	26	● 229761	1	46	229977	1
7	235164		2	27	● 229762	1	C 47	228277	1
8	FIGURE 3			28	● 229772	2			
9	228924	M5x20	1	29	229760	1			
10	229972	M5x25	1	30	235214	M6x20 2			
C 11	229919		1	31	236936	2			
12	225631		1	32	235912	2			
13	● 235897		1	33	235107	1			
14	● 228958		1	34	229208	1			
15	228861		1	35	225628	1			
16	215533-01		1	36	● 229888	1			
17	235801	M4x16	4	C 37	● 229891	1			
18	229914		1	38	● 229892	1			
C 19	301115-03		1	39	● 229893	1			
20	FIGURE 1			40	● 229920	2			



TIVOLI 45 - H 45			
	1	229912	1
C	2	227727	2
	3	241012	1
	4	229756	1
B	5	229208	2
B	6	227769	4
B	7	229563	M5x10 1
B	8	229959	M5x20 1
B	9	229561	M5x16 2

TIVOLI 60 - H 60			
	1	229913	1
C	2	227726	2
	3	241012	1
	4	229754	1
B	5	229208	3
B	6	227769	5
B	7	229563	M5x10 1
B	8	229959	M5x20 1
B	9	229561	M5x16 3

FIGURE 3



C	-	323702-04	carbur.
B	1	• 324013	1
A	2	•• 324009	1
C	3	• 225834	1
	4	• 224466	1
	5	• 323601	1
	6	• 323602	1

FIGURE 4

A = high moving - alta rotazione - haute demande - große Nachfrage
 B = medium moving - media rotazione - moyenne demande - mittelmäßige Nachfrage
 C = slow moving - bassa rotazione - basse demande - wenige Nachfrage